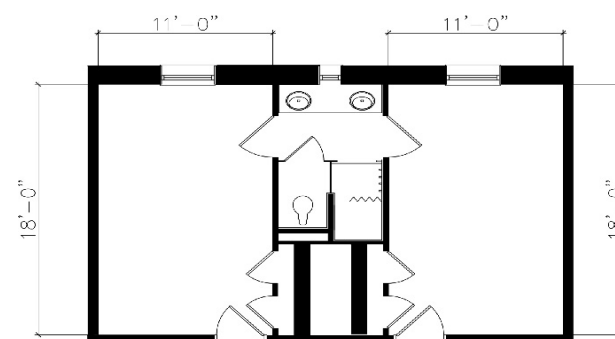




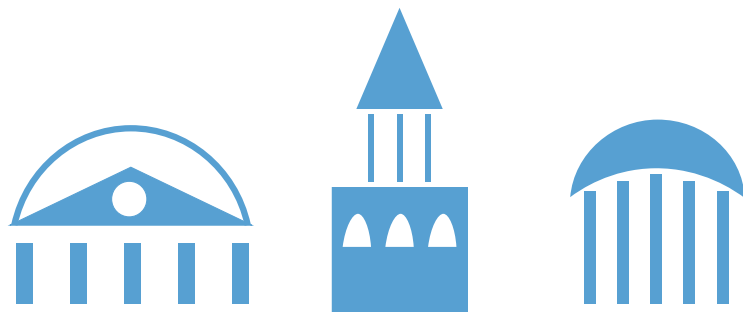
Craige North Residence Hall

Hall & Room Details

| | |
|-------------------------------|--|
| Hall Population | 231 |
| Elevator | Yes |
| Fire Safety | Smoke detectors, alarms and sprinkler system |
| Amenities | seminar rooms, study rooms, kitchens and ice machine, laundry, TV room, lounges, recreation room, vending machines |
| Avg. Room Measurements | 12' x 18' |
| Air-Conditioning | All rooms have central A/C |
| Room Furniture | Movable dressers, desks, study chairs, and beds |
| Closet | Closet with door |
| Mattress Size | Twin XL - Requires twin XL sheets |
| Bathroom | Suite bathrooms have 1 toilet, 2 sinks, 1 shower |



Visit: <https://housing.unc.edu/live/explore-the-halls/residences-halls/craige-north>



CONFERENCE SERVICES

<https://conferences.unc.edu/>

conferenceservices@unc.edu

(919) 962-7829